

L3V

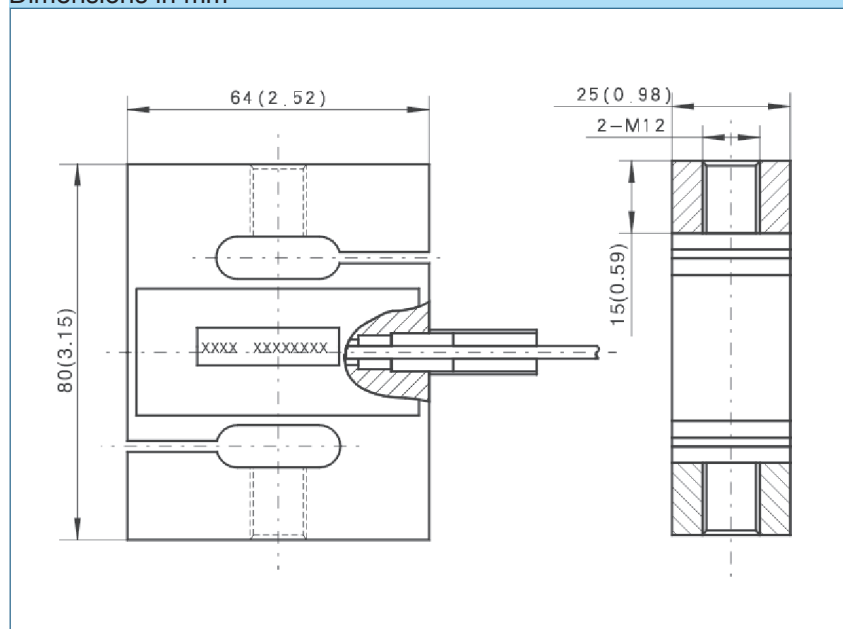
- Spraying plastic surface aluminum alloy IP66 "S" type load cell
- Tension and compression applications
- Suitable for textile machinery measuring and other electronic measuring systems



Available models		
Capacity	Accuracy	Full article description
200kg-700kg	C2	L3V-C2-xxkg-2.6B

Specification		
Maximum capacity (E _{max})	kg	200/250/500/700
Output sensitivity (= FS)	mV/V	2.3 ± 0.2
Accuracy class		C2
Combined error	%FS	± 0.03
Creep	%FS/30min	± 0.024
Temperature effect on sensitivity	%FS/10°C	± 0.03
Temperature effect on zero	%FS/10°C	± 0.5
Zero balance	%FS	± 1.5
Compensated temperature	°C	-10~ +40
Operating temperature	°C	-35~ +65
Storage temperature	°C	-40 ~ +70
Input resistance	Ω	410 ± 30
Output resistance	Ω	350 ± 3
Insulation resistance	MΩ	≥ 5000 (50VDC)
Excitation, recommended voltage	V	5~12(DC)
Excitation maximum	V	18(DC)
Safe overload	of E _{max}	120
Ultimate overload	of E _{max}	150
Ingress protection (according to EN 60529)		IP66
Cable specification	mm	φ 5.0
Cable length	m	2.6
Recommended torque on fixation	N.m	100

Dimensions in mm



Wiring

